

Low Profile Swingout Mount for Flat-Panels

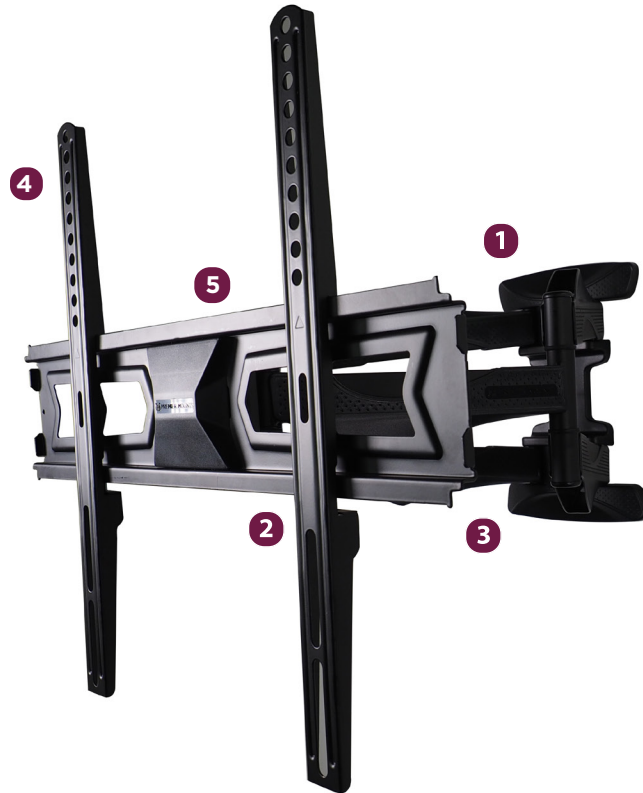
Model: AM65

Weight Capacity: 65 lbs/29 kg

Features

- 1** Low profile swing out mount collapses to just 2.2" from the wall
- 2** Single piece construction makes for a quicker install
- 3** Scissor style arms pull up to 18" from the wall
- 4** 12° of downward tilt
- 5** Universal mounting pattern up to 400 x 400

The AM65 is a swing out mount for flat-panel displays up to 65 lbs/29 Kg. The AM65 allows for up to 45° of swivel, 12° of tilt and extends up to 18". With a slim depth of only 2.2" it looks like a flat mount when collapsed. Cable management channels are built in the arm to keep power and cables protected when pulling or pushing the display.



Flat panel mount collapses to 2.2 in. from the wall



Expands flat panel displays up to 18 inches from the wall



Designed to offer 12 degrees of downward tilt for today's slim line flat panels

Low Profile Swingout Mount for Flat-Panels

AM65

Specifications

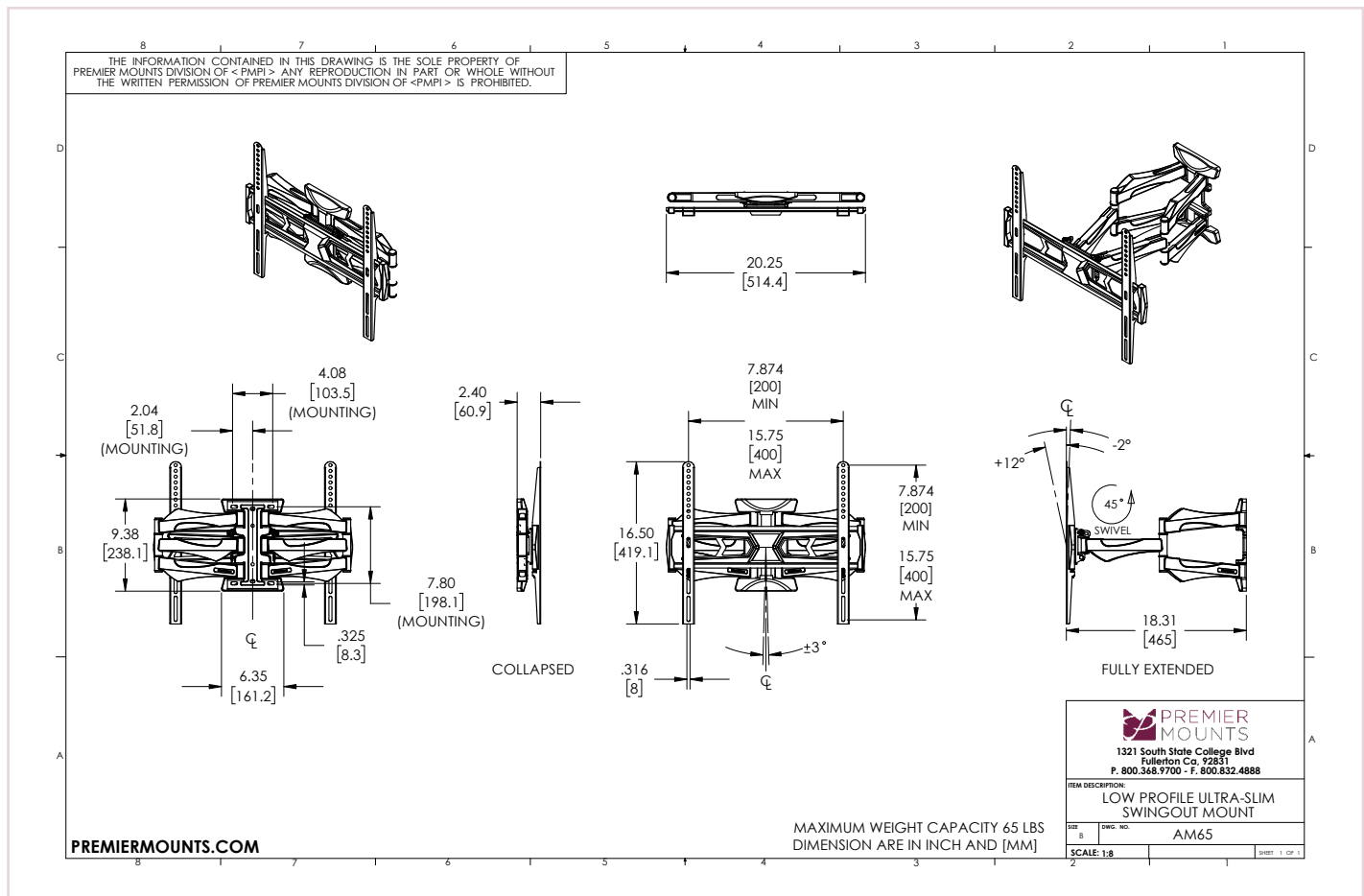
Weight 9.8 lb/ 4.5 kg	Color Black	Weight Capacity / Mount 65 lb./ 29 kg	Mounting Pattern 100 x 100 mm (min) x 430 x 400 mm (Max)
Width x Height x Depth 19.6 x 16.6 x 2.2 in 498 x 422 x 56 mm		Warranty Lifetime	

Packaging

Width x Height x Depth 21.5 x 10.75 x 2.75 in. 546 x 273 x 69.8 mm

Contents Mount (x1), Universal Hardware Pack (x1), Instruction Manual (x1)

Architectural Drawing



Specifications subject to change without notice